

4200 Series

Tubeaxial

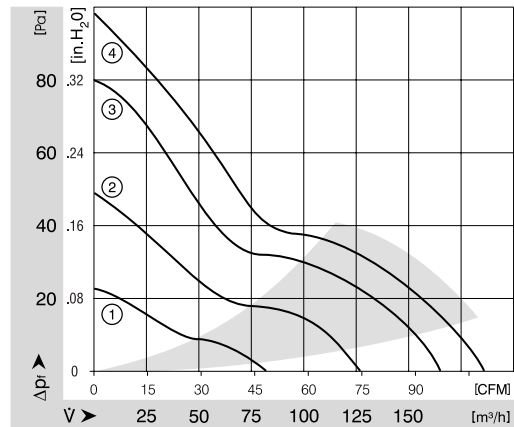
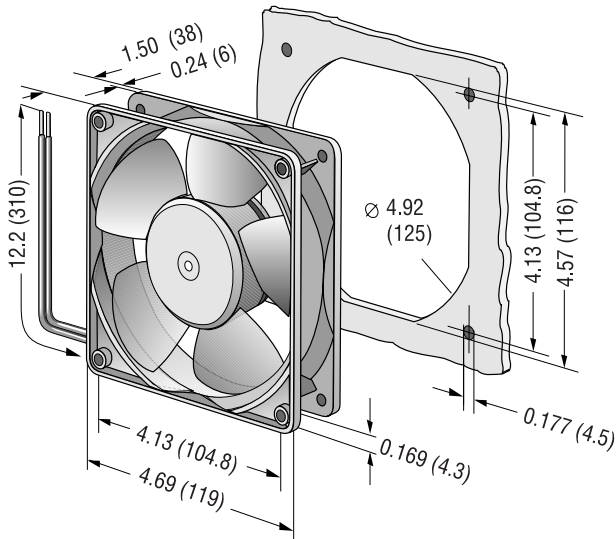
119x119x38mm



- DC fans with electronically commutated external rotor motor. Fully integrated commutation electronics.
- With electronic protection against reverse polarity, blocking and overloading by PTC-resistor; partially impedance protected.
- Mounting from either face using four 4.3 mm holes.
- Fan of fiberglass reinforced plastic. PBTP housing, PA impeller.
- Air exhaust over struts. Rotational direction CCW looking at rotor.
- Electrical connection via leads AWG 22, TR 64. Stripped and tinned ends.
- UL, CSA, VDE approvals on some models, please contact application engineering.

Part Number	Curve	CFM @ 0	VDC	Volt. Range	Power (W)	dBA	Max Amb. Temp C	Bearing Type	Features	Wgt. (lbs)
4212L	1	50.6	12	7 to 14.5	1.2	29	75	Ball	Leads	0.64
4212GM	2	74.7	12	7 to 14.5	2.2	38	75	Sintec	Leads	0.64
4212M	2	74.7	12	7 to 14.5	2.2	38	75	Ball	Leads	0.64
4212	3	97.1	12	7 to 14.5	4.3	45	75	Ball	Leads	0.64
4212/2	3	97.1	12	7 to 14.5	4.3	45	75	Ball	Leads	0.64
4212/12	3	97.1	12	7 to 14.5	4.3	45	75	Ball	Leads	0.64
4212H	4	108.3	12	7 to 14.5	5.3	49	65	Ball	Leads	0.64
<hr/>										
4214L	1	50.6	24	12 to 28	1.2	29	75	Ball	Leads	0.64
4214	3	97.1	24	12 to 28	4.3	45	75	Ball	Leads	0.64
4214G	3	97.1	24	12 to 28	4.3	45	75	Sintec	Leads	0.64
4214H	4	108.3	24	12 to 28	5.3	49	65	Ball	Leads	0.64
<hr/>										
4218	3	97.1	48	36 to 56	4.3	45	75	Ball	Leads	0.64
4218/2	3	97.1	48	36 to 56	4.3	45	75	Ball	Leads	0.64
4218H	4	108.3	48	36 to 56	5.6	49	65	Ball	Terminals	0.64

Terminal option available upon request.



e-mail: sales@us.ebmpapst.com · TEL: 860-674-1515 · FAX: 860-674-8536

ebm-papst Inc., 100 Hyde Road, Farmington, CT 06034 USA

ebm-papst Inc., 2006 © ebm-papst Inc. reserves the right to change any specifications or data without notice